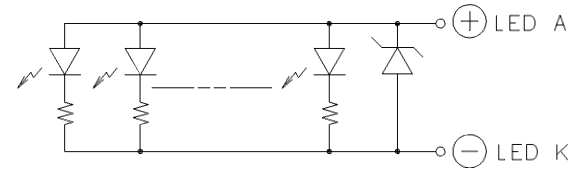
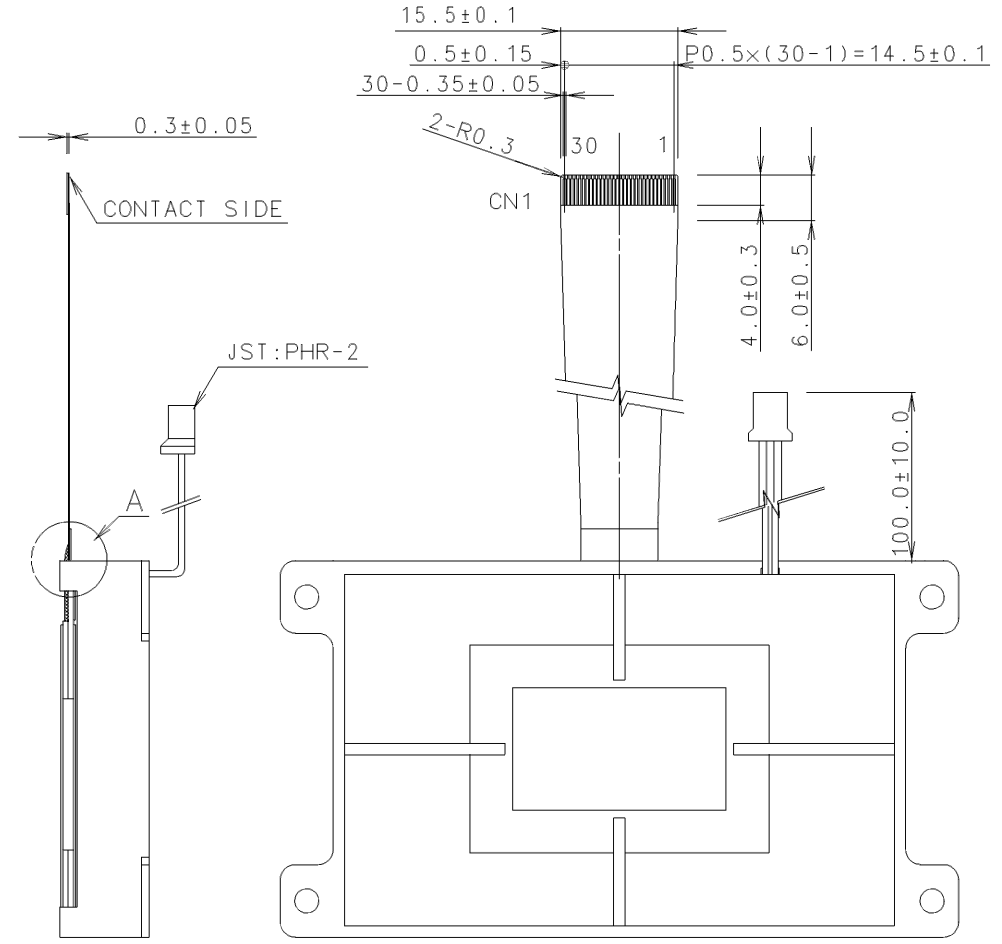
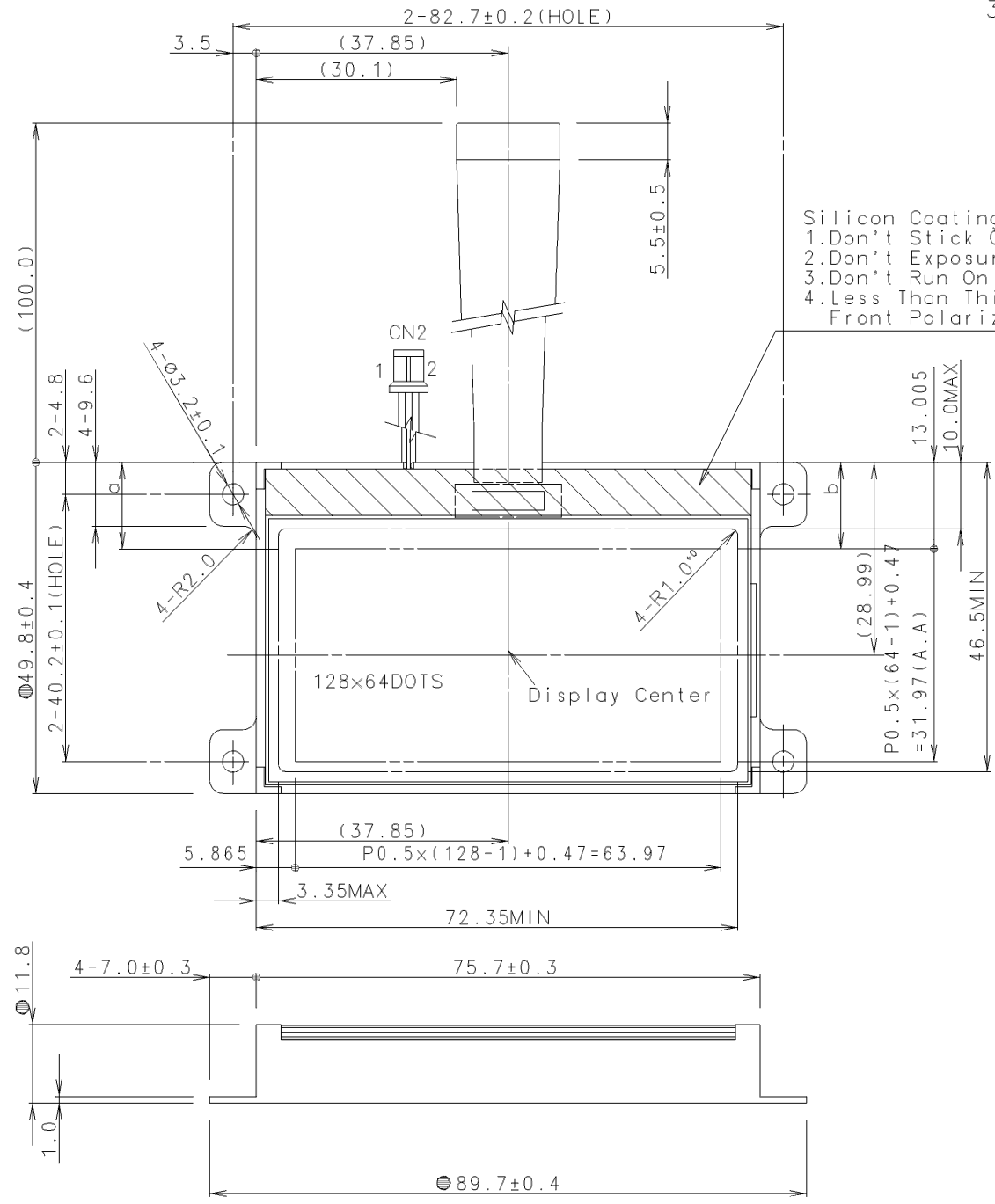


CIRCUIT DIAGRAM



QTY of LED chips
 351852AA/AC : 4chips
 351852AB : 7chips
 351852AG : 12chips

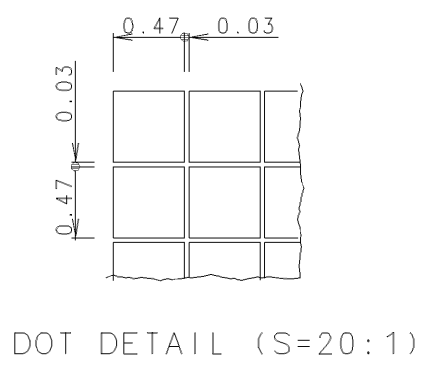


CN1 PIN ASSIGNMENT

| No. | SYMBOL | No. | SYMBOL | No. | SYMBOL |
|-----|--------|-----|--------|-----|--------|
| 1 | CS1 | 11 | D5 | 21 | C2+ |
| 2 | RES | 12 | D6 | 22 | V1 |
| 3 | A0 | 13 | D7 | 23 | V2 |
| 4 | WR | 14 | VDD | 24 | V3 |
| 5 | RD | 15 | VSS | 25 | V4 |
| 6 | D0 | 16 | VOUT | 26 | V5 |
| 7 | D1 | 17 | C3- | 27 | VR |
| 8 | D2 | 18 | C1+ | 28 | C86 |
| 9 | D3 | 19 | C1- | 29 | P/S |
| 10 | D4 | 20 | C2- | 30 | NC |

| PIN No. | SYMBOL |
|---------|--------|
| 1 | LED A |
| 2 | LED K |

- NOTES
1. Display Skew $|a-b| \leq 0.5$
 2. Do not use materials which are prohibited by RoHS.
 3. The dimensions with the mark (●) are controlled as a particular characteristic.



| TOLERANCE | | | THIRD ANGLE PROJECTION | DATE Feb. 25 '05 | OPTREX CORPORATION |
|---------------|------|------|------------------------|---------------------|------------------------------|
| MEASURE | A | B | | | |
| L ≤ 16 | ±0.1 | ±0.3 | ±1 | UNIT | APPROVED M. MOTOHASHI |
| 16 < L ≤ 63 | ±0.2 | ±0.5 | ±1.5 | mm | CHECKED T. SUZUKI |
| 63 < L ≤ 250 | ±0.3 | ±0.8 | ±2 | SCALE 1:1 | TITLE DIMENSIONAL OUTLINE |
| 250 < L ≤ 500 | ±0.5 | ±1.2 | ±3 | | CODE F-51852AA base |
| 500 < L | ±0.8 | ±2 | ±4 | | DWG NO UE-312339 |
| ANGLE | ±1° | ±5° | ±10° | | DRAWN ERASA. TANG |